

APPLICATION:

JOB NAME:

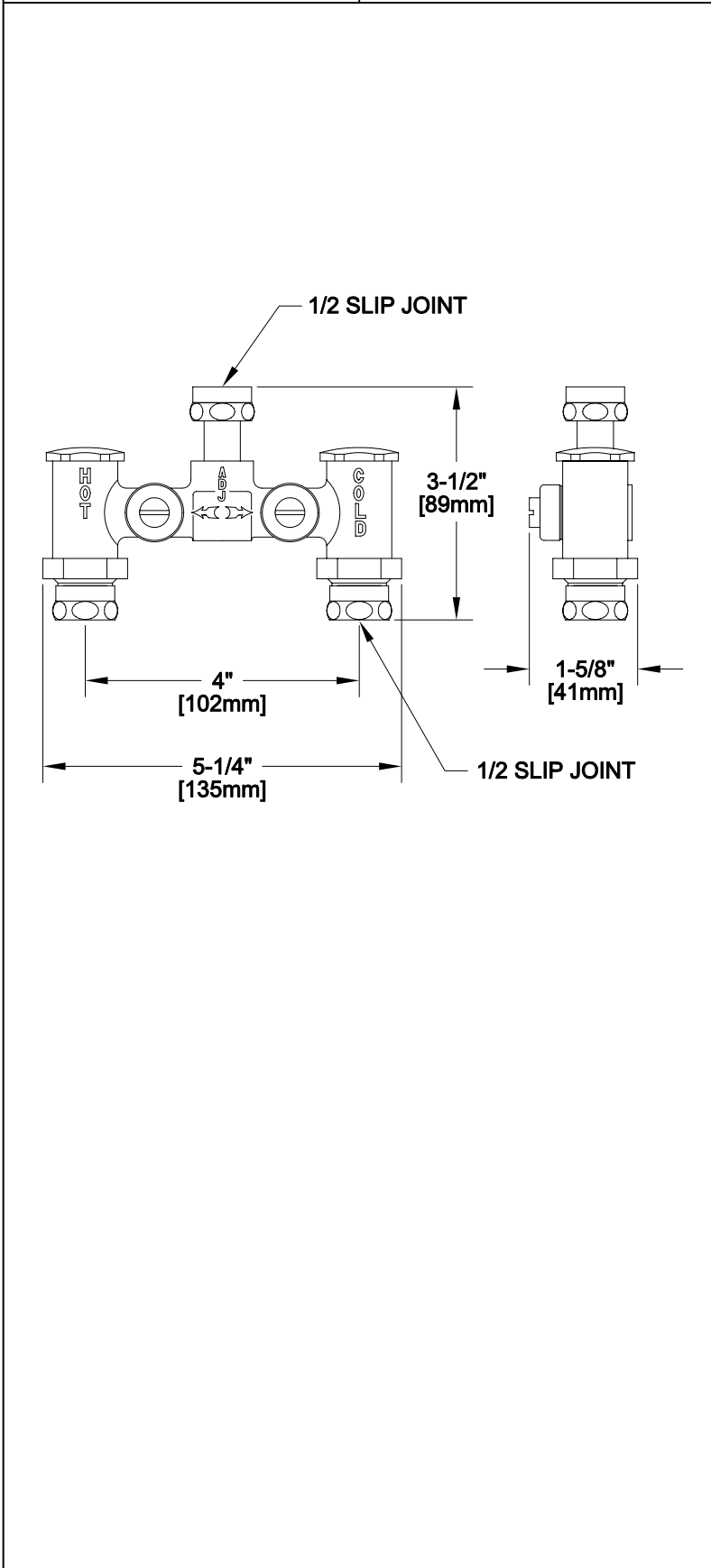
QUANTITY: ITEM NO.

PRODUCT NAME:
 TEMPERATURE CONTROL VALVE
 1/2 TP

_____ SPECIAL CONFIGURATION
 CHECK BASE MODEL AND OPTIONS

MODEL:
 2970-3

OPTIONS OR MODIFICATIONS:
 OTHER _____



FEATURES

- * INTERNAL SPRING LOADED CHECK VALVES
- * SCREWDRIVER ADJUSTS BOTH HOT AND COLD FLOW

SHIPPING WEIGHT
 * 1.75 LBS